

产品特征

Product Features

- 恒流模式和恒压模式输出可选（客户定制选择）
Selectable constant current and constant voltage output.(Custom on request)
- 全隔离，最大输出功率20瓦
Full-ioslated,delivering up to 20W of power.
- 短路、过流和过压保护。
Short circuit,over current and over voltage protection.
- 防火环保PC塑料外壳
Fireproof environmental protection PC plastic cover
- 符合世界照明安全规范标准
In line with the world lighting safety standards
- 5年质保
5 years quality warranty



电气规格

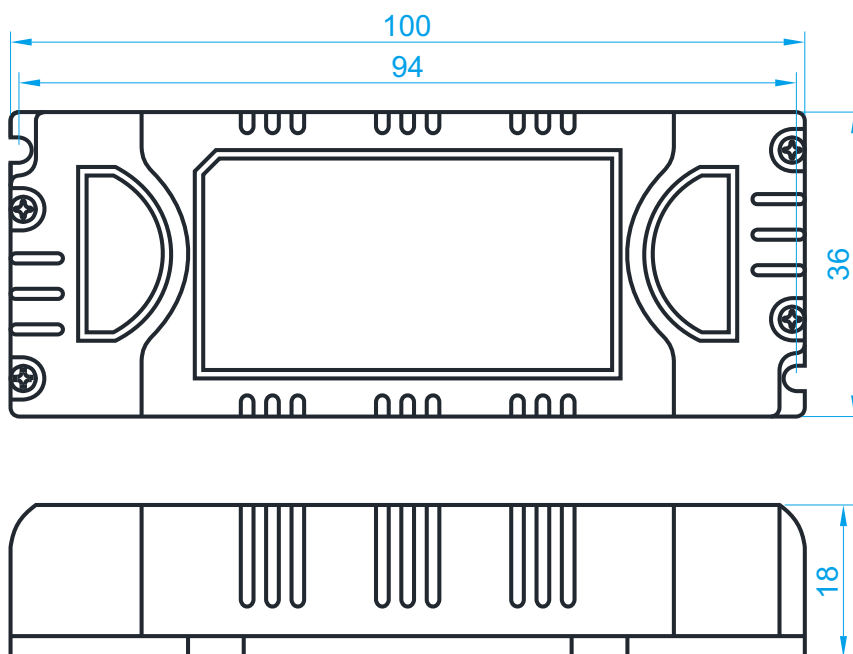
Electrical specifications



输入 Input	电压范围 Voltage range	90-130&180-240V/AC				
	频率范围 Frequency range	50-60Hz				
	功率因数 Power factor	>0.95				
	满载效率 Full load efficiency	≥85%				
	交流电流 AC current	0.22A/0.11A				
输出 Output	输出模式 Rated current	恒流模式 Constant Current			恒压模式 Constant Voltage	
	额定电流 Rated current	480mA	550mA	830mA	1500mA	830mA
	电流精度 Current accuracy	±5%	±5%	±5%	±10%	±10%
	输出电压范围 Output voltage range	28-42V	25-36V	18-24V	12V	24V
	额定功率 Rated pwer	20W				
保护 protect	短路保护 Short circuit protection	间歇重启模式，异常排除后可自动恢复 Intermittent restart mode, after the exception can be automatically restored				
	过流保护 Overcurrent protection	打嗝模式，过流异常排除后可自动恢复 Hiccup mode, after the removal of abnormal flow can be automatically restored				
	过压保护 Overvoltage protection	打嗝模式，过压异常排除后可自动恢复 Hiccup mode, after the exception of abnormal pressure can be automatically restored				

环境 Environment	工作温度、湿度 Operating Temperature/humidity	-30- 45°C,5- 95%RH
	储存温度、湿度 Storage Temperature/humidity	-40- 70°C,5- 95%RH
	温度系数 Temperature coefficient	± 0.03%/°C(0- 50°C)
	耐振动 Vibration	5- 55Hz/2g,30 Mimutes
安规和EMC Safety	安全规范 Safety	EN60598
	耐压 Pressure	I/P- O/P:3KVAC IP- FG:1.88KVAC O/P-FG:0.5KVAC
	绝缘阻抗 Insulation resistance	I/P- O/P I/P- FG O/P- FG:100M Ω /500VDC/25°C/70%RH
	电磁兼容发射 EMC Emission	EN55022,EN55015 Class B
其它 Other	电磁兼容抗扰性 EMC Immunity	EN61547,ENV5024,EN61000-4-2/3/4/6/8/11
	净重 Net weight	100g
	尺寸 Size	100*36*18mm

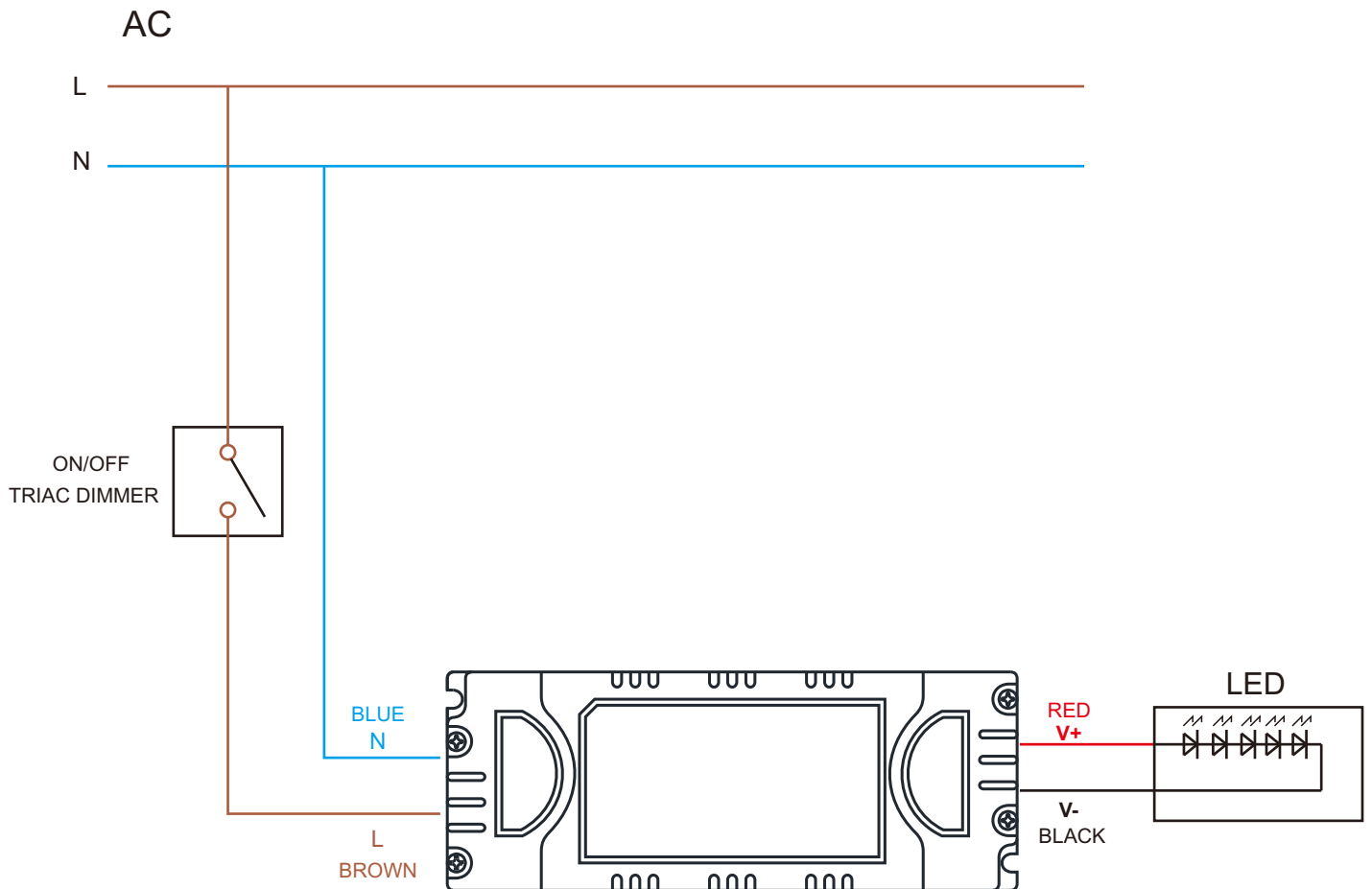
外壳结构 Shell structure



单位：毫米
Units:mm

可控硅调光接线图

Triac dimmer wiring diagram



包装

Packing

